

AURAND

Surface prep tools since 1937

AURAND W1E WALK-BEHIND SCARIFIER

The Powerhouse of Surface Preparation



For those demanding large-scale, efficient surface preparation, the Aurand W1E Walk-Behind Scarifier emerges as a game-changer. With the capability to tackle the most extensive tasks, this tool is a must-have for professionals in various industries.

CONTACT US

📍 1210 Ellis St Cincinnati, Ohio, 45223 📞 800-860-2872 ✉ sales@aurand.net 🌐 www.aurand.net

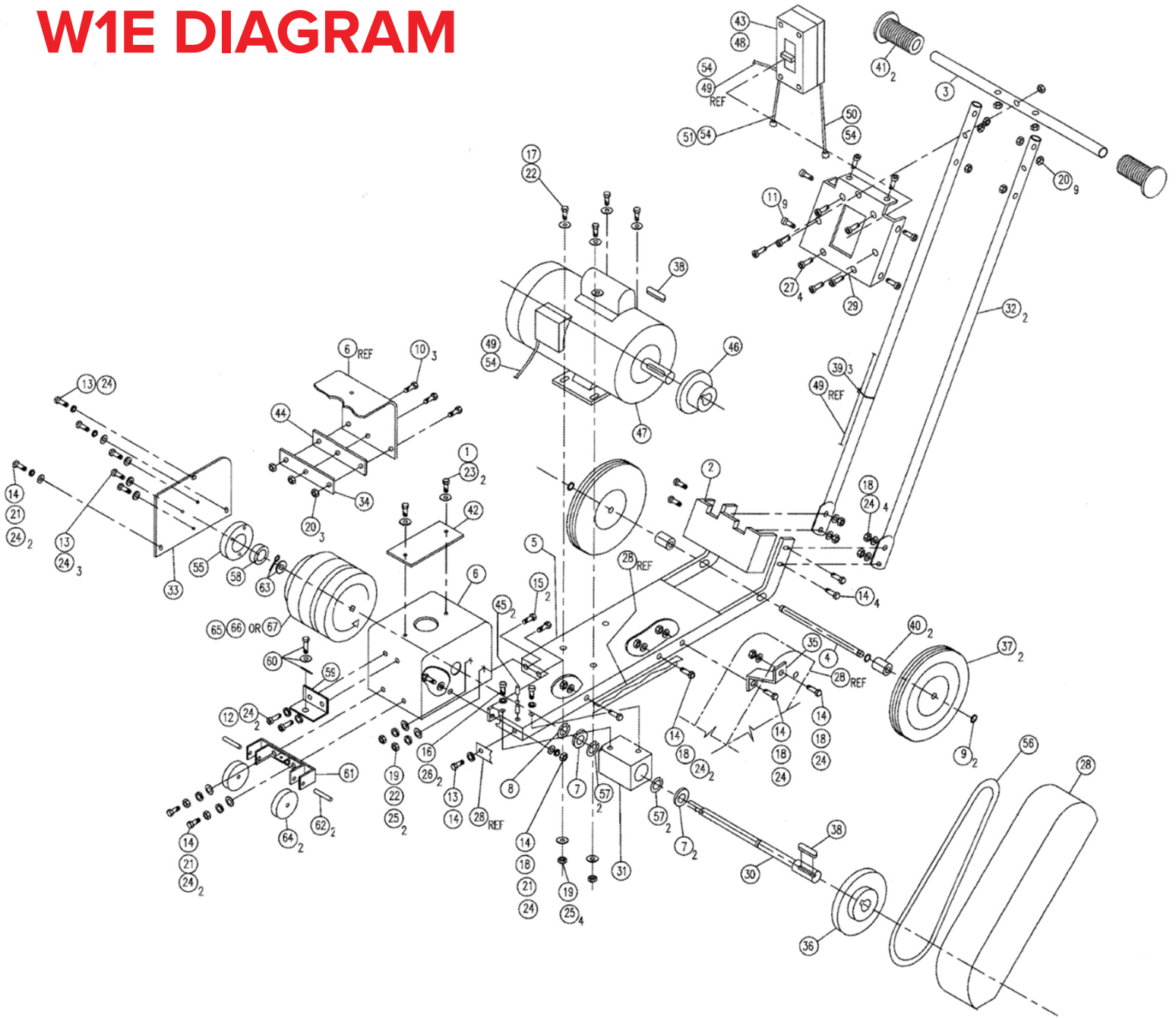
PARTS BREAKDOWN			
REF	PART NO.	USAGE	DESCRIPTION
1	685	2	SCREW
2	1019	1	BRACE (BOTTOM)
3	1020	1	HANDLE (TOP)
4	1025	1	AXLE (MAIN)
5	1026	1	BASE
6	1027	1	GUARD, CUTTER
7	1028V	2	BRG, SPINDLE (27M)
8	1035V	1	RING, RET.
9	1036V	2	RING, RET.
10	1037V-38	3	SCREW
11	1038V-310	9	SCREW
12	1039V-46	2	SOC HD SCR
13	1040V	5	BOLT
14	1040V-16	13	BOLT
15	1040V-210	2	BOLT
16	1040V-36	2	BOLT
17	1040V-26	4	BOLT
18	1041V-6	9	NUT, HEX
19	1041V-7	6	NUT, HEX
20	1041V-13	12	STOP NUT
21	1042V-5	5	WASHER, FLAT
22	1042V-6	6	WASHER, FLAT
23	1043V-3	2	LOCK WASHER
24	1043V-5	20	LOCK WASHER
25	1043V-6	6	LOCK WASHER
26	1043V-7	2	LOCK WASHER
27	1044V-34	4	SCREW
28	1054	1	GUARD, BELT
29	1058-1	1	BRACE, TOP
30	1059	1	SHAFT
31	1060	1	MOUNT, BRG.
32	1064	2	SUPPORT, HANDLE
33	1068	1	COVER (CB HSG)
34	1072	1	RTNR, DUST STRP
36	1075V	1	PULLEY, SPINDLE
37	1081V	2	WHEEL
38	1082	2	KEY
39	1083V	3	TIE, PLASTIC
40	1084	2	SPACER, WHEEL
41	1087	2	GRIP, HANDLE
42	1088	1	COVER, VAC PORT
43	1089V	1	HEATER

PARTS BREAKDOWN			
REF	PART NO.	USAGE	DESCRIPTION
44	1090	1	STRIP, DUST
45	1091V	2	ROLLPIN
46	1092V	1	PULLEY, MOTOR
47	1093V	1	MOTOR, ELECTRIC
48	1094V	1	STARTER, MOTOR
49	1095	1	CORD, ELECTRIC
50	1096	1	CORD SET, MALE
51*	1097	1	CORD SET, FEMALE
52*	1100V	1	VACUUM
53*	1101V	1	VACUUM STRAP
54	1162V	4	CONNECTOR
55	1142	1	BLOCK, BRG.
56	1150V	1	V-BELT
57	1153V	2	RING, RET.
58	1154V	1	BEARING
59	1188	1	BRACKET
60	1189	1	BOLT, ADJ.
61	1190	1	BRACKET, WHEEL
62	1212	2	PIN, SPRING
63	28M	1	KEY & WSHR
64	85M	2	WHEEL
66	AUR-W2B	1	CUTTER, BUNDLE
67*	AUR-W2S	1	CUTTER, BUNDLE



MODEL	CLEANING AREA	POWER SUPPLY	HORSE-POWER	MODEL
W1G	5"	GASOLINE	5	90 LBS.
W1E		115/230V	2	97 LBS.

W1E DIAGRAM



ASSEMBLY AND OPERATING INSTRUCTIONS

1. Fasten HANDLE ASSEMBLY to BASE (Ref 5) with hardware furnished.
2. Mount MOTOR STARTER (Ref 48) to TOP BRACKET (Ref 29). Route ELECTRIC CORD (Ref 49) along HANDLE SUPPORT (Ref 32) and secure with PLASTIC TIE (Ref 39).
3. Operation and motion of equipment is similar to that of operating a lawn mower. Over-lapping the strips of cleaned surface insures a perfect job. Cleaning action is obtained by either moving forward or backward. Operator technique will dictate preference. Never allow the tool to be held in one spot or move from side to side as on a swivel.

Equipment should never be operated without eye, hearing and face protection.
Never touch or work on the rotating head when power is present.

SURFACE AND MAINTENANCE INSTRUCTION

DEPTH ADJUSTMENT:

When adjustment is required to compensate for cutter wear:

- Loosen BOLTS (Ref 14) which secures WHEEL BRKT (Ref 61). LOWER HSG (Ref 6) by turning ADJ. BOLT (Ref 60) clockwise. Care must be taken not to adjust too much or the cutters will bottom out on their pins and cause uneven wear and damage to CUTTER BUNDLE and equipment. A height of 3" from the center of spindle to surface is normal.
- Tighten BOLTS (Ref 14).

CUTTER BUNDLE REPLACEMENT:

- Remove COVER (Ref 33) by removing three outer BOLTS (Ref 13 & 14).
- Remove COTTER PIN & WSHR (Ref 63).
- Slide CUTTER BUNDLE (Ref 65, 66, or 67) from SPINDLE.
- Slide new CUTTER BUNDLE on SPINDLE and replace COTTER PIN & WSHR.
- Replace COVER.

LIMITED WARRANTY

AURAND Equipment is warranted by Aurand Mfg. & Equip. Co. to the original user against defects in workmanship or materials under normal use (rental use excluded) for ninety (90) days after the date of purchase. Any tool becoming inoperable during the warranty period must be returned to AURAND for examination. Any part or parts found to be defective in materials or workmanship or both by AURAND will be repaired or replaced at AURAND's option. All shipping on tools submitted for examination under this warranty must be borne by the purchaser.

PURCHASER NOTICE

The following is made in lieu of all warranties express or implied:

Seller's and manufacturer's obligation shall be to replace parts found to be defective. Neither seller nor manufacturer shall be liable for injury, loss, or damage, direct or consequential, arising out of the use or the inability to use the equipment. Before using, the user shall determine the suitability of the equipment for his intended use, and the user assumes all risk and liability in connection with its use.



CONTACT US

- 📍 1210 Ellis Street
Cincinnati, Ohio 45223-1843
- 📞 Phone: (513) 541-7200
- 📠 FAX: (513) 541-3065
- 📠 (800) 860-2872
- ✉ sales@aurand.net
- 🌐 www.aurand.net