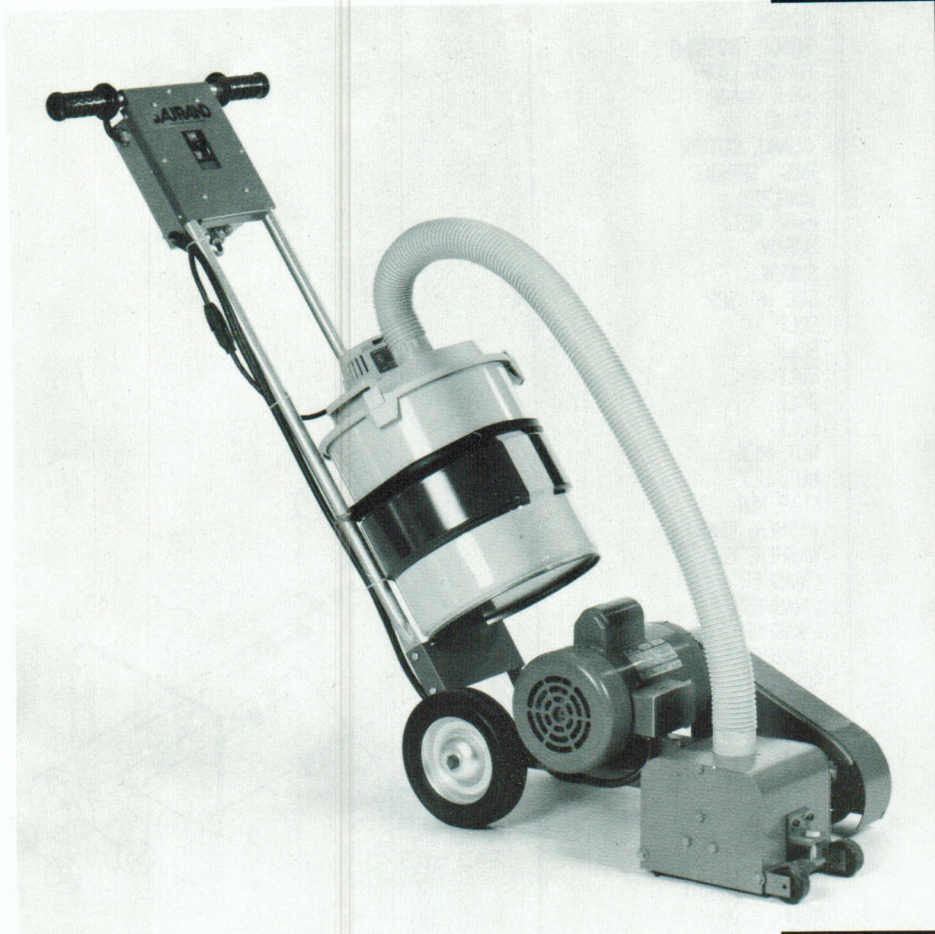


W1E  
PS1



**JARAND**

**MODEL**

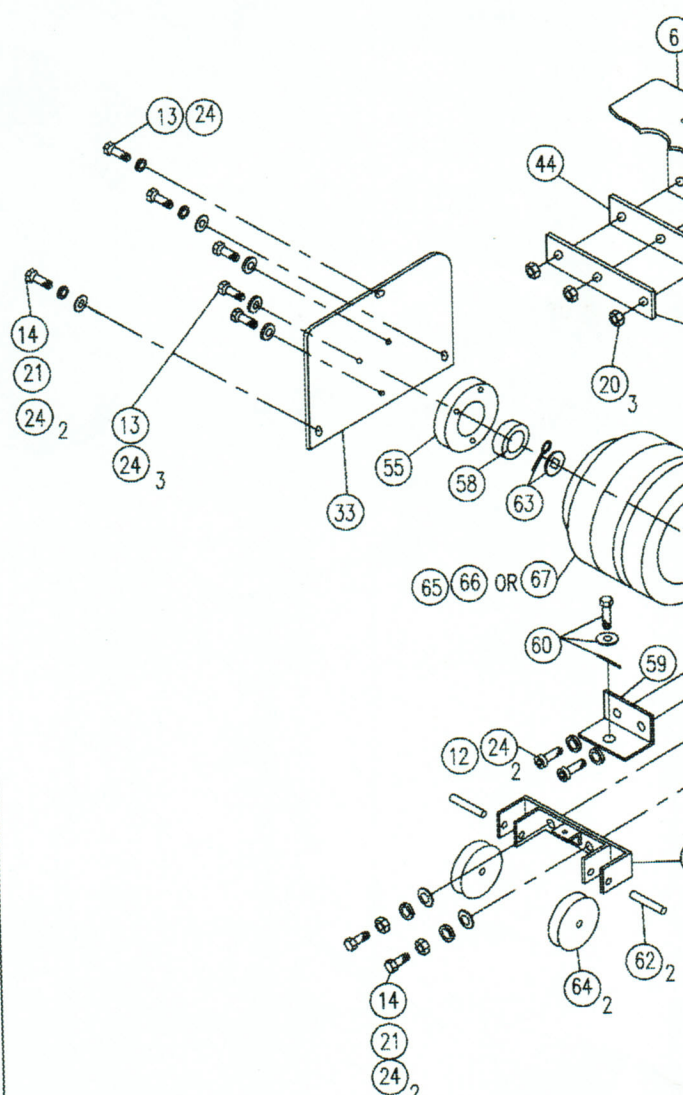
**W1E/W1E-V**

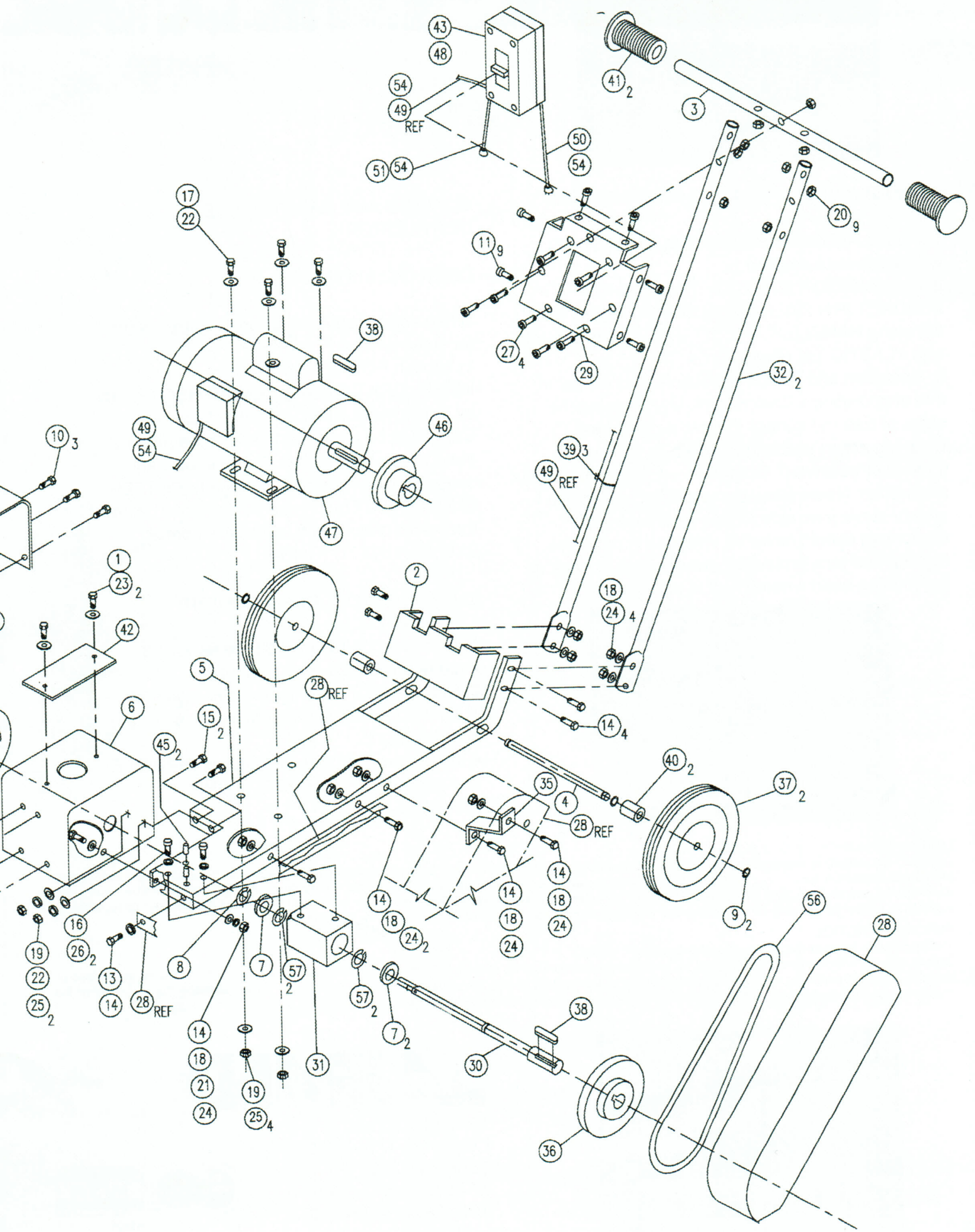
Instruction Sheet  
and Parts Chart

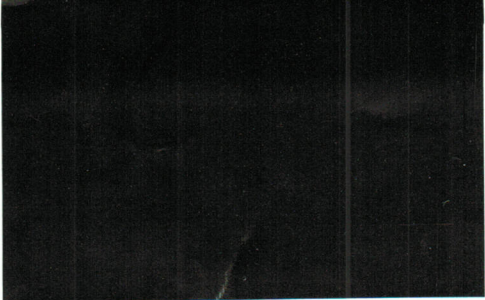
W/E  
882

## PARTS BREAKDOWN

| REF | PART NO.  | USAGE | DESCRIPTION      |
|-----|-----------|-------|------------------|
| 1   | 685       | 2     | SCREW            |
| 2   | 1019      | 1     | BRACE (BOTTOM)   |
| 3   | 1020      | 1     | HANDLE (TOP)     |
| 4   | 1025      | 1     | AXLE (MAIN)      |
| 5   | 1026      | 1     | BASE             |
| 6   | 1027      | 1     | GUARD, CUTTER    |
| 7   | 1028V     | 2     | BRG., SPINDLE    |
| 8   | 1035V     | 1     | RING,RET.        |
| 9   | 1036V     | 2     | RING, RET.       |
| 10  | 1037V-38  | 3     | SCREW            |
| 11  | 1036V-310 | 9     | SCREW            |
| 12  | 1039V-46  | 2     | SOC HD SCR       |
| 13  | 1040V     | 5     | BOLT             |
| 14  | 1040V-16  | 13    | BOLT             |
| 15  | 1040V-210 | 2     | BOLT             |
| 16  | 1040V-36  | 2     | BOLT             |
| 17  | 1040V-26  | 4     | BOLT             |
| 18  | 1041V-6   | 9     | NUT, HEX         |
| 19  | 1041V-7   | 6     | NUT, HEX         |
| 20  | 1041V-13  | 12    | STOP NUT         |
| 21  | 1042V-5   | 5     | WASHER, FLAT     |
| 22  | 1042V-6   | 6     | WASHER, FLAT     |
| 23  | 1043V-3   | 2     | L'WASHER         |
| 24  | 1043V-5   | 20    | L'WASHER         |
| 25  | 1043V-6   | 6     | L'WASHER         |
| 26  | 1043V-7   | 2     | L'WASHER         |
| 27  | 1044V-34  | 4     | SCREW            |
| 28  | 1054      | 1     | GUARD, BELT      |
| 29  | 1058-1    | 1     | BRACE, TOP       |
| 30  | 1059      | 1     | SHAFT            |
| 31  | 1060      | 1     | MOUNT, BRG.      |
| 32  | 1064      | 2     | SUPPORT, HANDLE  |
| 33  | 1068      | 1     | COVER (CB HSG.)  |
| 34  | 1072      | 1     | RTNR, DUST STRIP |
| 36  | 1075V     | 1     | PULLEY, SPINDLE  |
| 37  | 1081V     | 2     | WHEEL            |
| 38  | 1082      | 2     | KEY              |
| 39  | 1083V     | 3     | TIE, PLASTIC     |
| 40  | 1084      | 2     | SPACER, WHEEL    |
| 41  | 1087      | 2     | GRIP, HANDLE     |
| 42  | 1088      | 1     | COVER, VAC PORT  |
| 43  | 1089V     | 1     | HEATER           |
| 44  | 1090      | 1     | STRIP, DUST      |
| 45  | 1091V     | 2     | ROLLPIN          |
| 46  | 1092V     | 1     | PULLEY, MOTOR    |
| 47  | 1093V     | 1     | MOTOR, ELECTRIC  |
| 48  | 1094V     | 1     | STARTER, MOTOR   |
| 49  | 1095      | 1     | CORD, ELECTRIC   |
| 50  | 1096      | 1     | CORD SET, MALE   |
| 51* | 1097      | 1     | CORD SET, FEMALE |
| 52* | 1100V     | 1     | VACUUM           |
| 53* | 1101V     | 1     | VACUUM STRAP     |
| 54  | 1162V     | 4     | CONNECTOR        |
| 55  | 1142      | 1     | BLOCK, BRG.      |
| 56  | 1150V     | 1     | V-BELT           |
| 57  | 1153V     | 2     | RING, RET.       |
| 58  | 1154V     | 1     | BEARING          |
| 59  | 1188      | 1     | BRACKET          |
| 60  | 1189      | 1     | BOLT, ADJ.       |
| 61  | 1190      | 1     | BRACKET WHEEL    |
| 62  | 1212      | 2     | PIN, SPRING      |
| 63  | 28M       | 1     | KEY & WSHR       |
| 64  | 85M       | 2     | WHEEL            |
| 65* | AUR-W1    | 1     | CUTTER, BUNDLE   |
| 66  | AUR-W2B   | 1     | CUTTER BUNDLE    |
| 67* | AUR-W2S   | 1     | CUTTER BUNDLE    |
| 68  | 1100V     | 1     | VACUUM           |

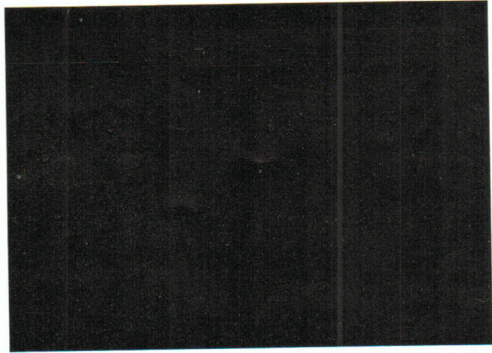






**ASSEMBLY AND OPERATING INSTRUCTIONS**

1. Fasten HANDLE ASSEMBLY to BASE (Ref 5) with hardware furnished.
2. Mount MOTOR STARTER (Ref 48) to TOP BRACKET (Ref 29). Route ELECTRIC CORD (Ref 49) along HANDLE SUPPORT (Ref 32) and secure with PLASTIC TIE (Ref 39)
3. Operation and motion of equipment is similar to that of operating a lawn mower. Over-lapping the strips of cleaned surface insures a perfect job. Cleaning action is obtained by either moving forward or backward. Operator technique will dictate preference. Never allow the tool to be held in one spot or move from side to side as on a swivel. Equipment should never be operated without eye, hearing and face protection. Never touch or work on the rotating head when power is present.



**SURFACE AND MAINTENANCE INSTRUCTION**

**DEPTH ADJUSTMENT:**

- When adjustment is required to compensate for cutter wear:
1. Loosen BOLTS (Ref 14) which secures WHEEL BRKT (Ref 61). LOWER HSG (Ref 6) by turning ADJ. BOLT (Ref 60) clockwise. Care must be taken not to adjust too much or the cutters will bottom out on their pins and cause uneven wear and damage to CUTTER BUNDLE and Equipment. A height of 3" from the center of spindle to surface is normal.
  2. Tighten BOLTS (Ref 14).

**CUTTER BUNDLE REPLACEMENT:**

1. Remove COVER (Ref 33) by removing three outer BOLTS (Ref 13 & 14).
2. Remove COTTER PIN & WSHR (Ref 63).
3. Slide CUTTER BUNDLE (Ref 65, 66 or 67) from SPINDLE.
4. Slide new CUTTER BUNDLE on SPINDLE and replace COTTER PIN & WSHR.
5. Replace COVER.

**LIMITED WARRANTY**

AURAND Equipment is warranted by Aurand Mfg. & Equip. Co. to the original user against defects in workmanship or materials under normal use (rental use excluded) for ninety (90) days after the date of purchase. Any tool becoming inoperable during the warranty period must be returned to AURAND for examination. Any part or parts found to be defective in materials or workmanship or both by AURAND will be repaired or replaced at AURAND's option. All shipping on tools submitted for examination under this warranty must be borne by purchaser.

**PURCHASER NOTICE**

The following is made in lieu of all warranties express or implied: Seller's and manufacturer's obligation shall be to replace parts found to be defective. Neither seller nor manufacturer shall be liable for injury, loss or damage, direct or consequential arising out of the use or the inability to use the equipment. Before using, user shall determine the suitability of the equipment for his intended use and user assumes all risk and liability in connection with it's use.



1210 Ellis Street  
Cincinnati, Ohio 45223-1843  
(513) 541-7200  
FAX: (513) 541-3065  
TOLL FREE: 800-860-2872



Home Page.. [www.aurand.net](http://www.aurand.net)